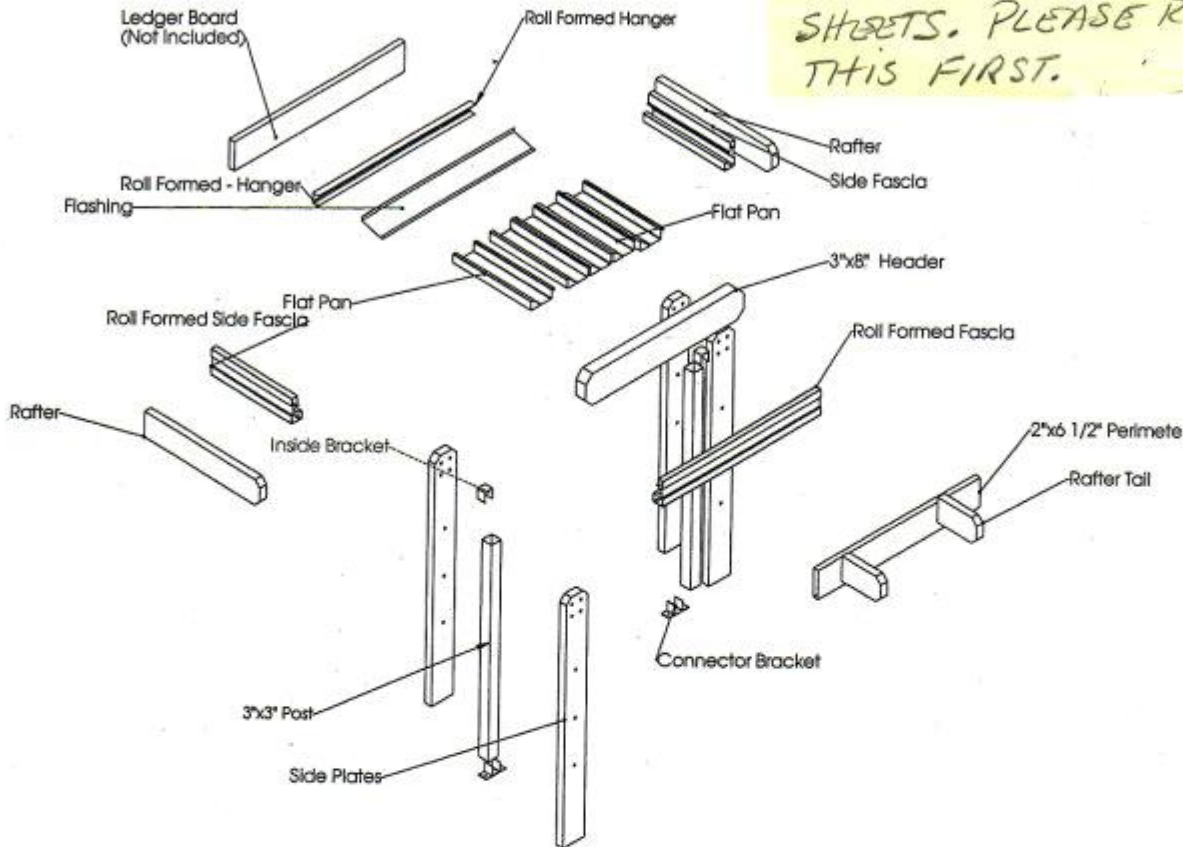




**Newport Patio Structures  
Installation Instructions**

*I WILL EMAIL A MORE DETAILED INSTRUCTION SHEETS. PLEASE READ THIS FIRST.*



*Ps 1 of 9*

**Recommended Tools:**

Safety Glasses  
Work Gloves  
Stud Finder  
Ladder  
Framing Square

Variable Speed Drill  
1/2" Hole Saw  
1/8" Drill Bit  
5/16" Drill Bit  
1/4" Masonry Bit

Extension Cord  
Socket Wrench  
Hex Head Drivers  
Crescent Wrench  
Hammer

Pencil  
Level  
Tape Measure  
Chalk Line  
Caulk Gun

**Before You Begin:**

Thank you for choosing Amerimax Newport Patio Cover Kit. Before you begin, there are several things to note:

1. Please read all instructions carefully. Check the Bill of Materials for any missing parts, and gather necessary tools. The paint finish can be scratched so place materials on a tarp or other material to prevent scratching.
2. You may be required to obtain a building permit for an attached structure from your local building authority. This product can only be installed in 10, 20, or 30 psf (pounds per square foot) snow load and 90 mph wind speed zone. This product is listed under ICBO Evaluation Report #2621P. You may have to submit two copies of your plot and also a copy of the evaluation report to your local building authority for a building permit. Contact your local building department for details and your area's snow and wind load.
3. Note that this patio cover kit is not designed to carry additional loads such as hanging plants, swings, people, trellis's or other objects. This patio cover cannot be enclosed with mesh screening.

**1. Install Ledger Board.** (Not Included) (see note under step 2) A Ledger board is only required if table a specifies two screws

per. Stud

*Note: Use a 2" x 8" (1 1/2" x 7 1/2" true size) Douglas Fir #2 or better for ledger board. Do not use pressed board, OSB, or particle board.*

- A. Select mounting area on wall. Snap a level chalk along the wall to locate the bottom of the ledger board. Remember, for proper drainage, the panels must be installed at a minimum slope of 1/2" per 1 foot of projection.
- B. Attach a ledger board to the side of the house or ends of the roof rafters as marked by your chalk line at the required height. Fasten the ledger board to the house studs using 1/4" x 4" lag screws. Refer to the Table A below to determine how many lag screws to be used per stud. Studs are assumed to be 16" on center.
- C. Place the 2" x 8" Ledger Cover over the wood ledger board. (optional)

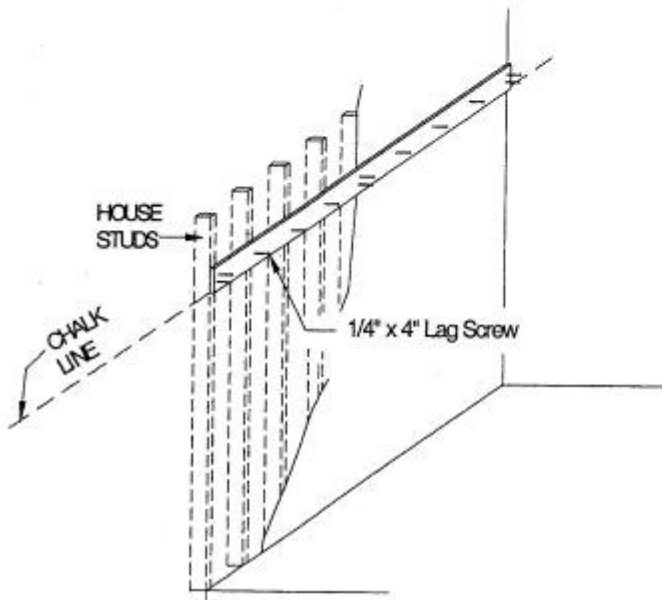
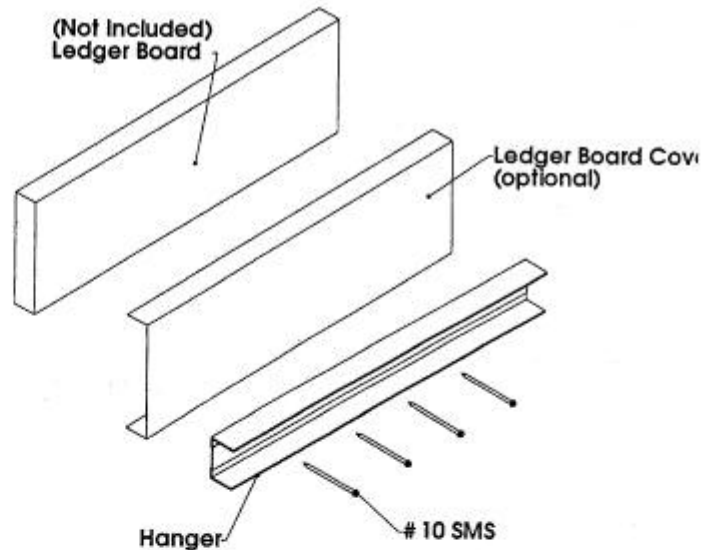


Table A

Projection (ft.)	Snow Load (psf)		
	10	20	30
8	1	1	1
10	1	1	1
12	1	2	2
14	1	2	2

Screws per Stud 16" O/C



**2. Awning Rail / Hanger**

- A. Snap a chalk line across the ledger board and use it as a guide for installing the hanger.
- B. Place the hanger against the ledger board and along the chalk line, ensuring the hanger is level.

- C. Place a #10 x 2" screw every 16" for 10 psf snow load (every 8" for 20 psf and 30 psf) for the along the hanger and snugly tighten down.

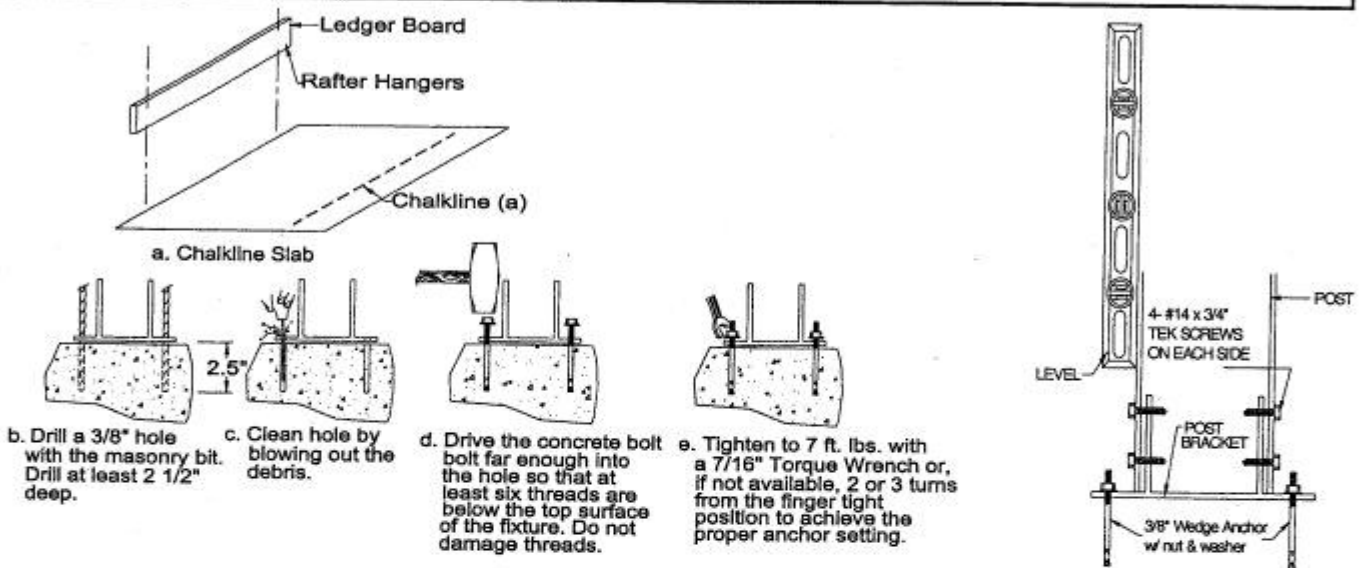
*Note: For 10 psf snow load, a ledger board is not required. Place the #10 x 2" screws every 16" into the house studs.*

### 3. Post Bracket Installment and Post Attachment

A. 1. Posts should be plumb and the bottom cut off to adjust the pitch of the panels for proper drainage and, at the same time, to adjust the header so that it is level from end to end. (recommended roof pitch is a minimum of 1/2" for each 1 foot of panel length)

2. With the posts cut to length, plumb them again and mark the slab for attachment. Two 1/4" holes should now be drilled through the bottom of post brackets and, with a 3/8" masonry bit, drill corresponding holes 2" deep into the slab. Attach the brackets to the slab using the concrete anchors provided and hammering them into the concrete (making sure not to damage the threads).

3. Next, fit each post onto its bracket and fasten with a 4 - #14 x 3/4" SMS screws on each side (same as



### 4. Install Header

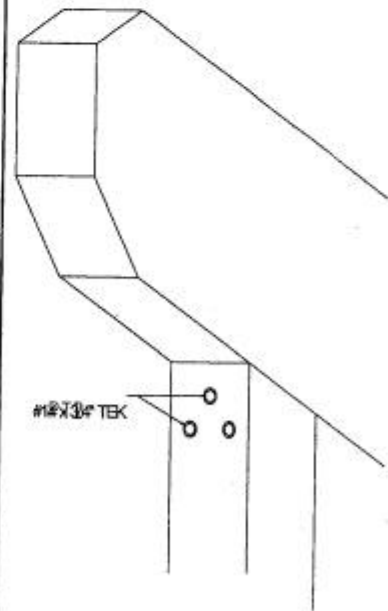
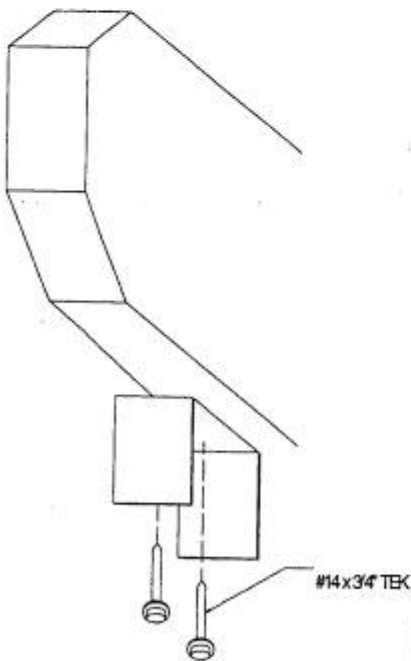
A. Set the Header on top of the posts. Make sure the rafter brackets are on top of the header and line up with the rafter hangers on the ledger board.

B. Using a level, check to make sure that the header is level. Mark the header where the post connector brackets will be placed.

C. Using two #14 x 3/4" SMS screws, attach the post connector bracket to the header and repeat for every post.

D. Set the header in place on top of the posts. Using three painted #14 x 3/4" SMS screws, attach the post connector bracket through the post in a triangle pattern. (pictured).

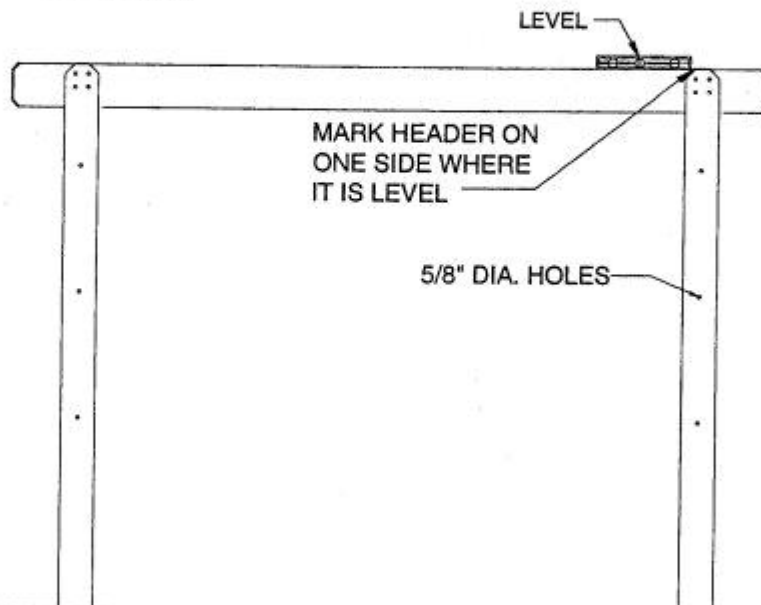
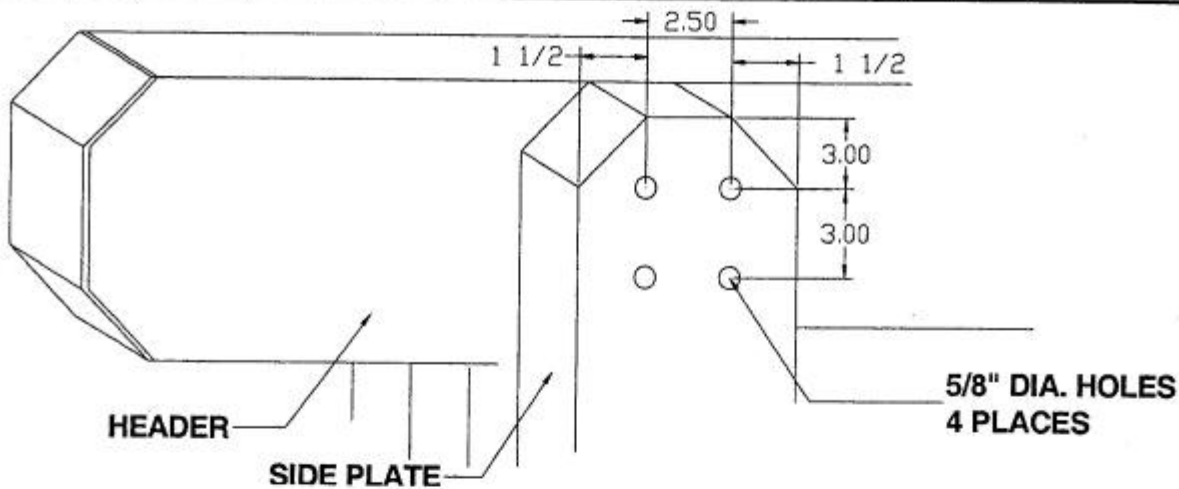
E. Repeat this step with the remaining posts.



### 5. Install Side Plates on Posts

*Note: Side Plates are rafters that have been stuffed with foam.*

- A. Place the side plate so that it is centered on the post. Measure 12" from the bottom of the side plate and drill a 5/8" hole through one side and the foam, making sure not to puncture the other side
- B. Place a #14 x 3/4" SM screw through the side plate into the post.
- C. Measure up 24" on center to locate the remaining holes to be drilled. Drill a 5/8" hole into the marks as done before, making sure not to puncture the other side.
- D. Use a level to check that the side plate is plumb and centered on the post.
- E. Place a #14 x 3/4" SM screw through the remaining holes as done before.
- F. Drill four holes into the side plates as done previously (as shown).
- G. Place a #14 x 3/4" SM screw into the four holes drilled.
- H. Place the 5/8" plugs into the holes.
- I. Repeat these steps on the opposite side of the post and to any other posts remaining



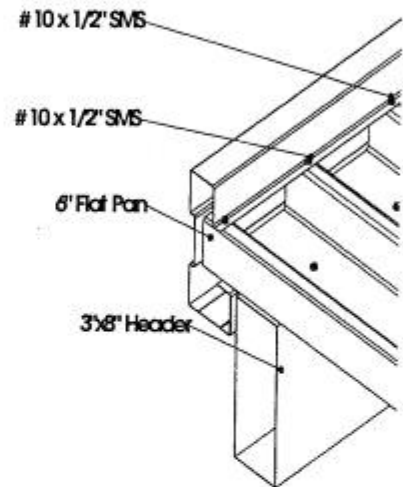
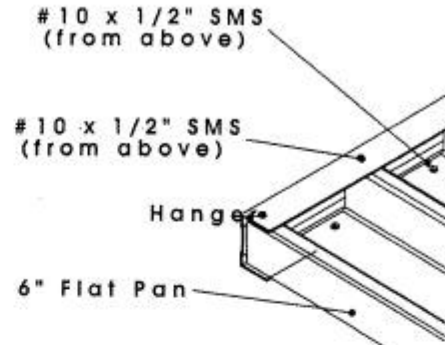
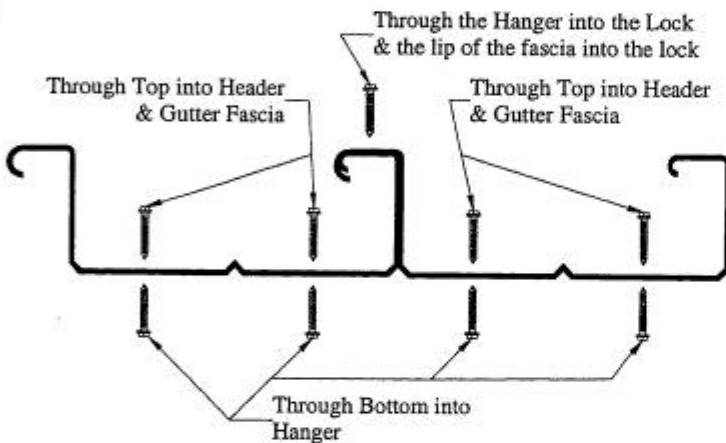
## 6. Installing Roof Panels

**Note:** Install one panel between the hanger and the header on each end of the patio, using one #10 x 1/2" SMS screw at each end of the panels. Check for squareness of the assembly, shifting the header until square. Then permanently fasten one of the panels as shown. Additional panels will install from this end.

A. 1. Place one screw from above of each valley through the 3X8" Header. Place one screw from the bottom of each valley through the Hanger. In addition, place one screw is fastened through the top of the hanger and into the mated interlock.

2. Later, when the other panels have been installed, the loosely installed panel at the other end may be removed and then properly interlocked to the adjacent panel.

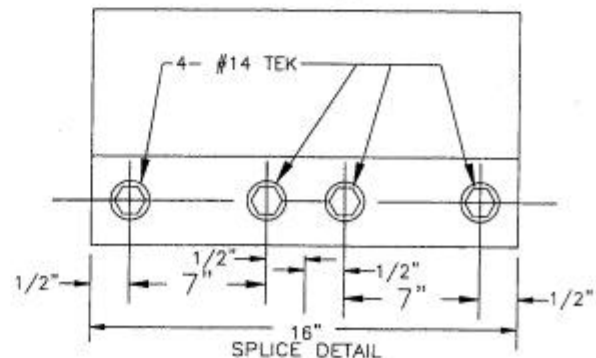
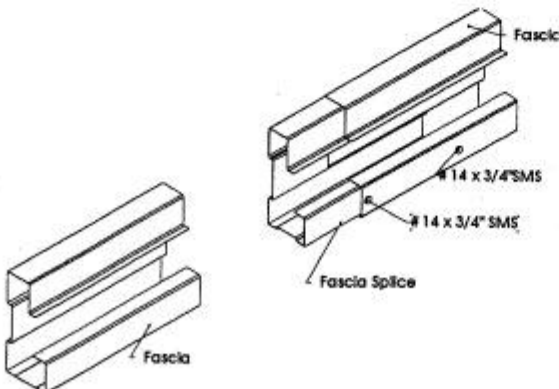
**Note:** 12' and 14' projections will require a additional #10 x 1/2" SMS screw in the lock at the center of the span.



## 7. Gutter/Fascia Assembly

A. If the gutter is provided in two or more sections, it must be spliced together.

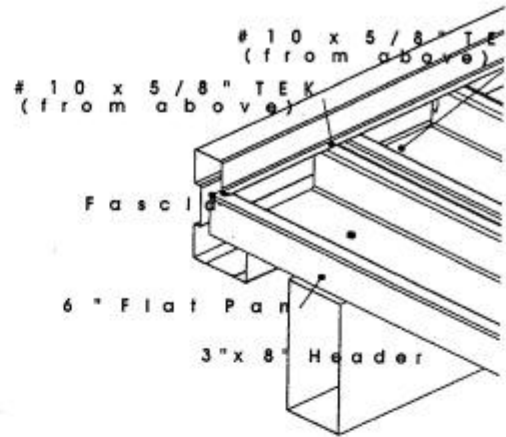
1. Apply a generous amount of caulk to the inside of the ends of the headers to be spliced
2. Place the splice so that the is evenly centered between the two Header pieces.
3. Fasten the splice using four #14 x 3/4" SMS screws.
4. Place the second header over the splice and it butt squarely with the other section. Again, fasten with screws on the back leg of the splice, as shown.



## 8. Mounting the Fascia Gutter

*Note: You may require assistance in holding the Gutter Fascia in place until properly secured.*

1. Place the Gutter Fascia over the end of the pans. Place one screw through every valley of the pan down through the Gutter Fascia.
2. Set a stabilizer clip into place. Align the clip so that it is centered above the lock of the pans, it should also fit snugly into the groove in the Gutter Fascia.
3. Place one screw through the top of the stabilizer clip into the lock of the pans.
4. Repeat this step along the entire length of the Gutter Fascia.



STEP 10

ROLL FOR IN

8 x 1/2" SMS

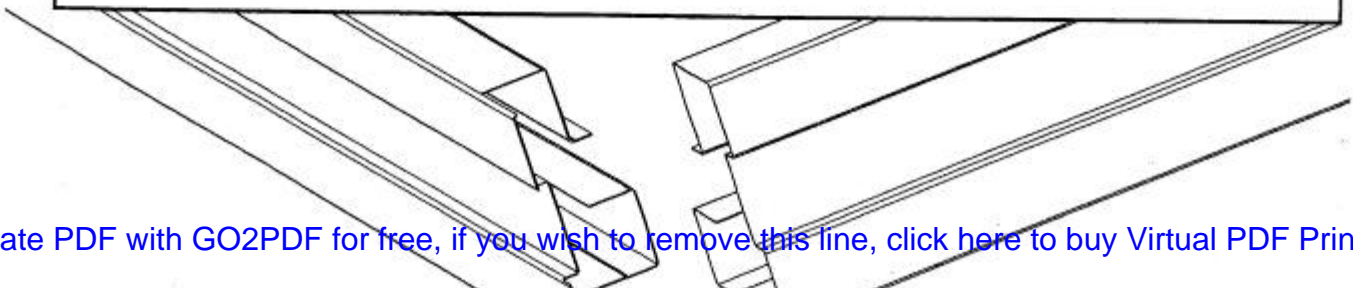
Side Fascia

#8 x 1/2" SMS

6" Flat Pan

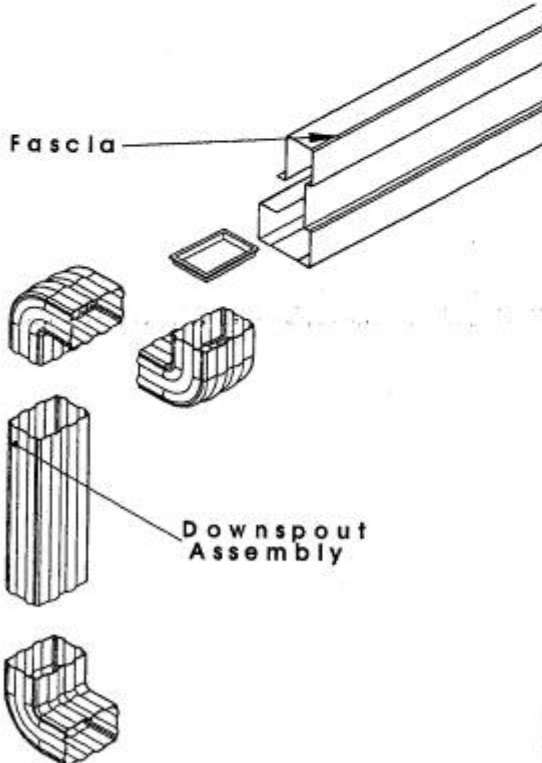
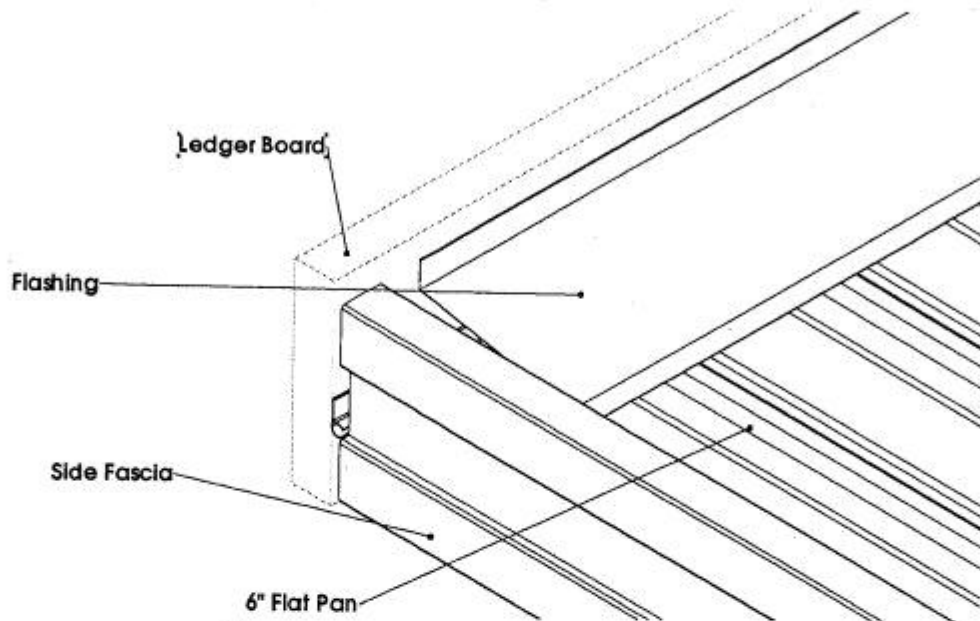
## 9. Install Side Fascia and Corners

- A.1. Place the side fascia in position as indicated in the step above. The opening of the side fascia should overlap the hanger at the house both above and below and fit snugly against the end of the hanger. Cope cut the side fascia to meet the Gutter Fascia.
2. At the opposite end, the side fascia should overlap the gutter.
3. Attach the side fascia with #8 x 1/2" SMS screws through the side fascia and gutter where they overlap: one on the top and two on the bottom. Place screws every 12" on center along the length of the top of the side fascia into the pan.
4. Install side fascia to the opposite end of patio in the same way.
- B. 1. Install corner caps using four #8 x 1/2" SMS screws. Place two through one side into the gutter. Then two through the other side into the side fascia.
2. Repeat this step on the other corner.



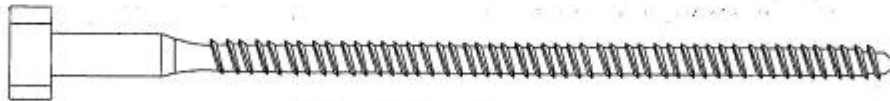
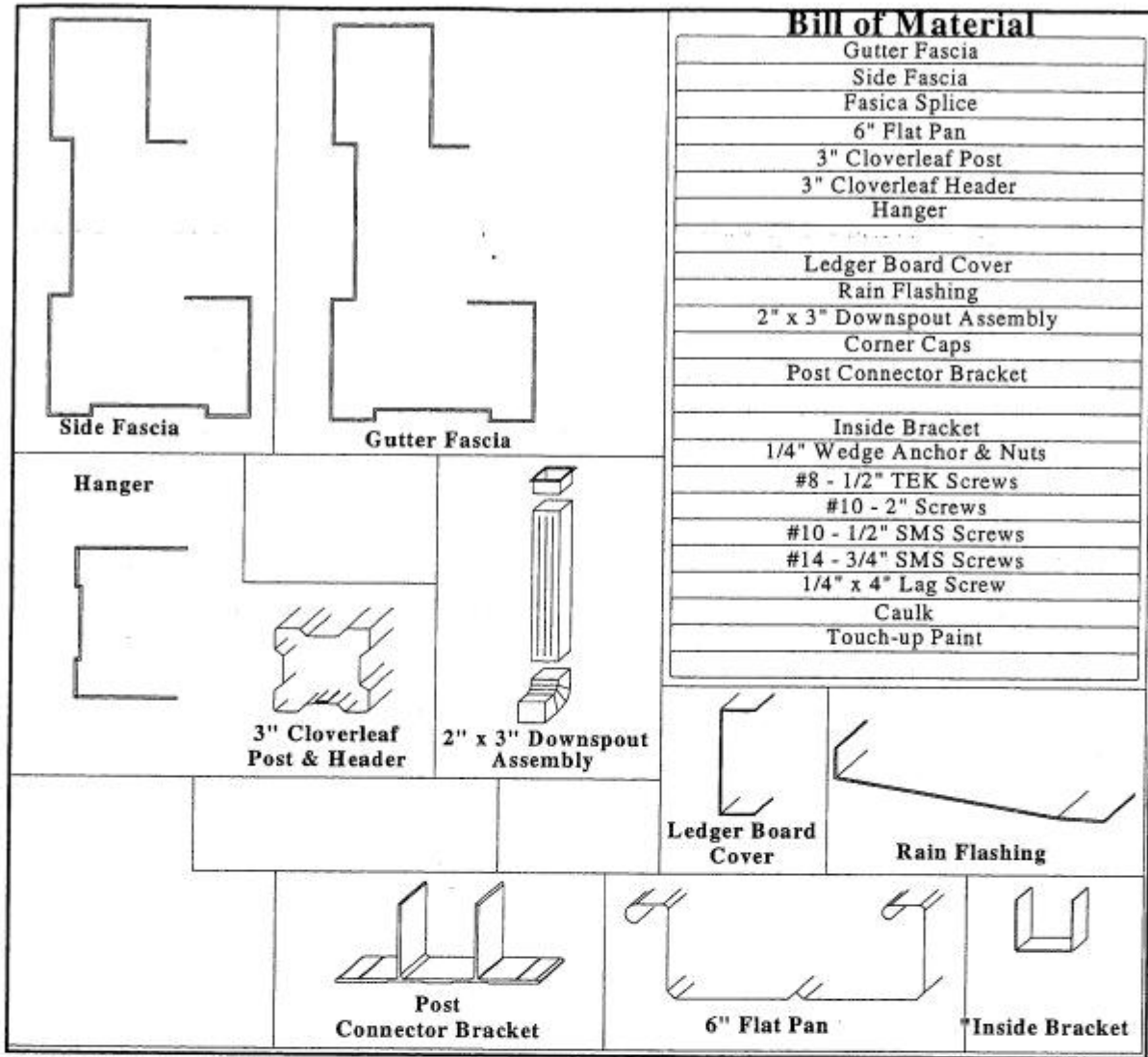
## 11. Install Rain Flashing

- A. Fasten rain flashing to the house wall or fascia board directly above the hanger, using #10 screws every six inches.
- B. Fasten flashing to the patio roof, using #8 x 1/2" SMS at the roof panels interlock.
- C. Overlap lengths of flashing at least one inch and fasten through the overlap into the roof panel interlock below.
- D. Caulk generously all along the attachment to the house and over each screw at the panel interlocks.

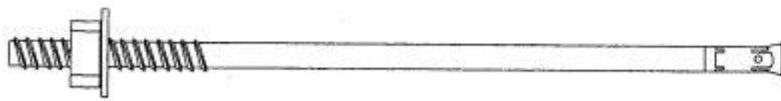


## 12. Install Downspouts

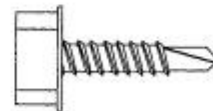
- A. Using a hole saw on the drill, cut two 1" diameter holes in the bottom of the header, this should be close to the end post.
- B. Place the downspout flange over the hole and fasten with #8 x 1/2" SMS screws.
- C. Insert the downspout elbow into one end of the downspout tube and fasten from the sides with #8 x 1/2" SMS screws.
- D. Hold the downspout assembly in place to check for proper length and cut it as required.
- E. Slip the upper end of the downspout assembly over the downspout flange and fasten from two sides with #8 x 1/2" SMS screws.
- F. Place the downspout tube in the strap and attach it to the post and fasten on two sides with #8 x 1/2" SMS screws.



**1/4" x 4" Lag Screw**



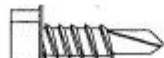
**3/8" x 3 1/2" Wedge Anchor & Nut**



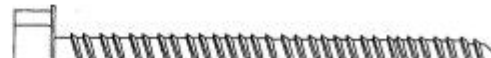
**#14 x 3/4" TEK Screw**



**#10 x 5/8" TEK Screw**



**#8 x 5/8" TEK Screw**



**#10 x 2" Screw**

